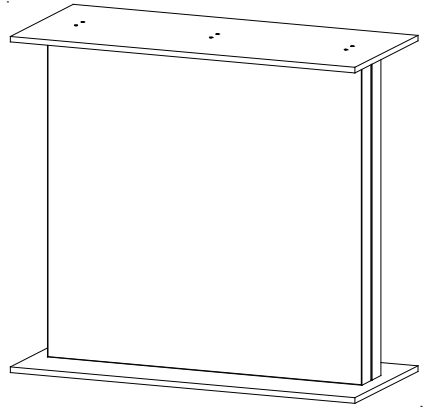
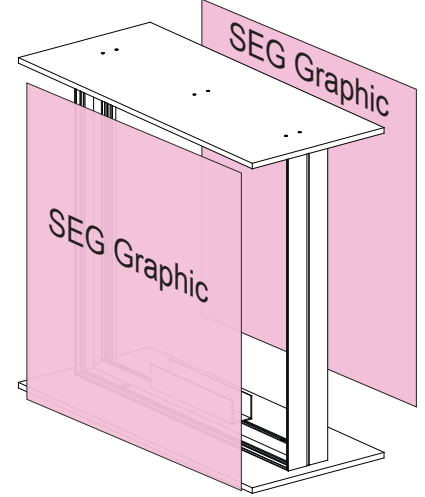
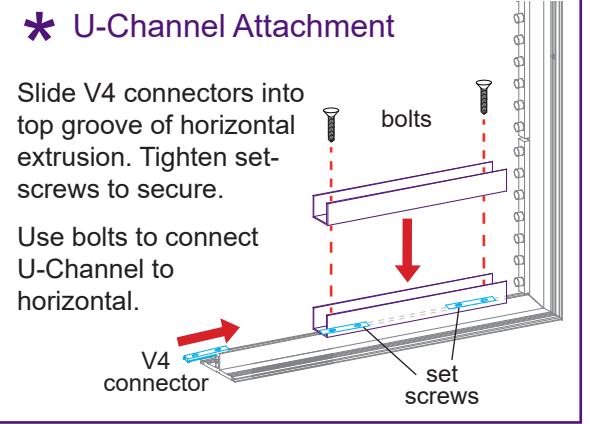
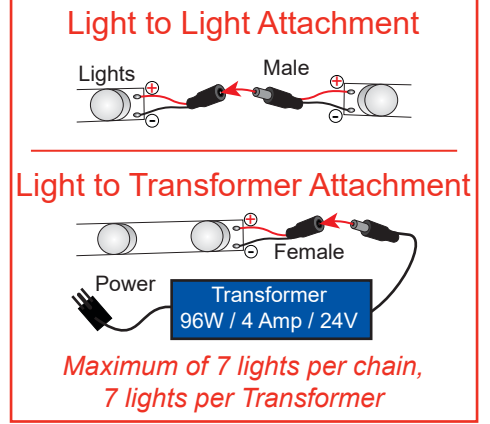
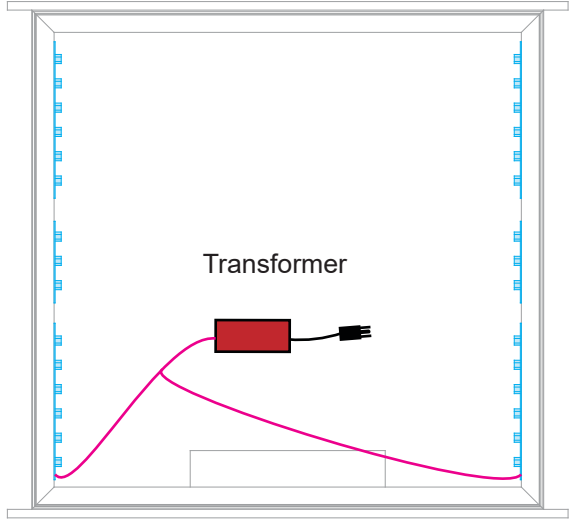
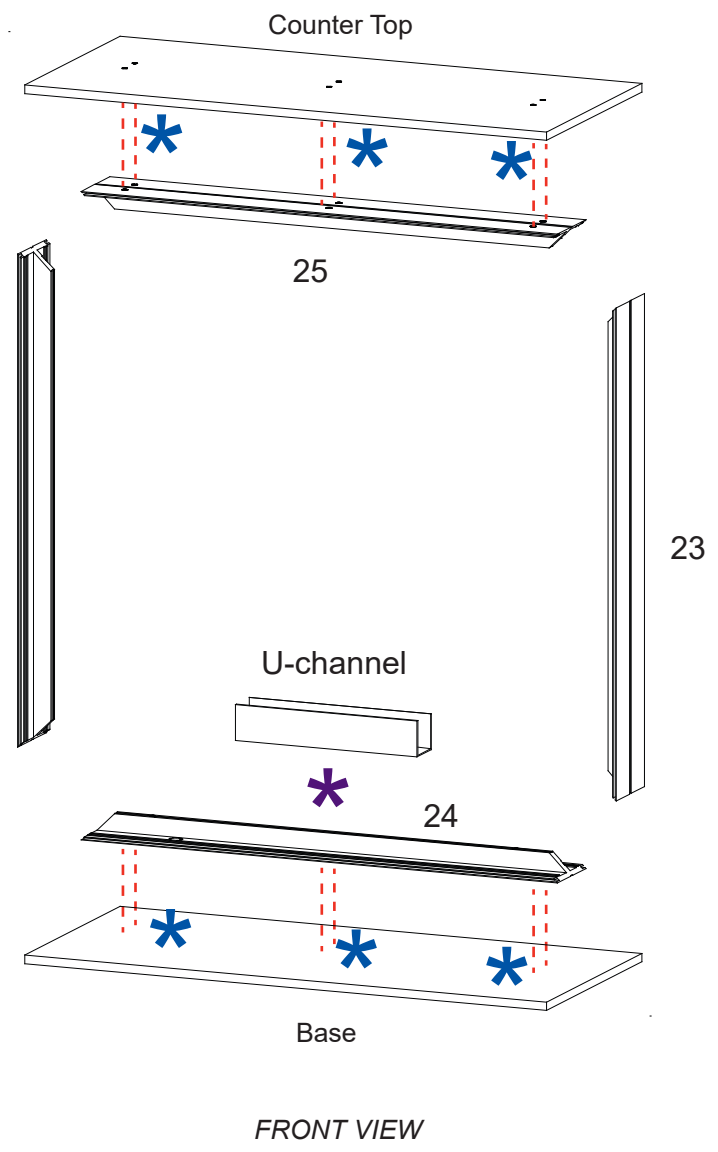
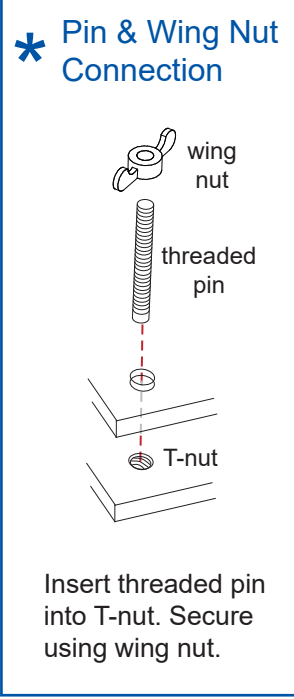


Item	Qty.	Description
22	1	41.040”h CEI152 Vertical Extrusion
23	1	41.040”h CEI152 Vertical Extrusion
24	1	42”w CEI152 Horizontal Extrusion
25	1	42”w CEI152 Horizontal Extrusion

- Steps:
- 1) Attach U-Channel to lower horizontal [24]. See [U-Channel Attachment](#) detail.
 - 2) Assemble verticals [22,23] between horizontals [24,25] using corner connectors. Refer to the [CEI152 Frame Assembly general information page](#).
 - 3) Attach lower horizontal [24] to Base using threaded pins & wing nuts. See [Pin & Wing Nut Connection](#) detail.
 - 4) Attach upper horizontal [25] to Counter Top using threaded pins & wing nuts. See [Pin & Wing Nut Connection](#) detail.
 - 5) Connect power cords to Supernova lights as shown.
 - 6) Apply SEG graphics to front & back of lightbox. Refer to the [SEG Installation general information page](#).



When assembled



SETUP INSTRUCTIONS

General Setup Instructions

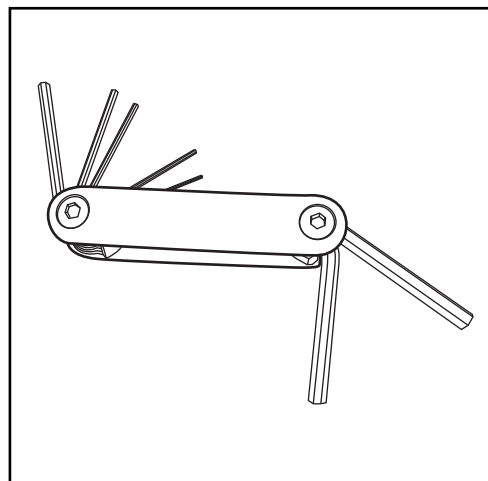
- Read entire setup instruction manual prior to unpacking parts and pieces.
- The setup instructions are created specifically for this configuration.
- Setup instructions are laid out sequentially in steps, including exploded views with detailed explanation for assembly.

Cleaning & Packing

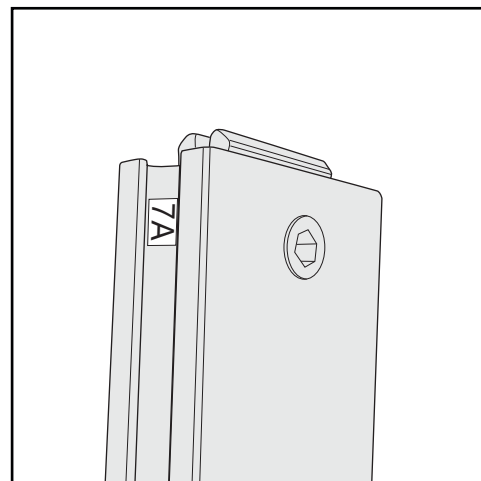
- For Cleaning Metal, Plex, & Laminate Parts: Use a **MILD NON-ABRASIVE** cleanser and soft cloth/paper towel to clean all surfaces.
- Keep exhibit components away from heat and prolonged sun exposure.
- **Heat and UV exposure will warp and fade components.**
- Retain all provided Packing Materials. All provided packing materials are for ease of repacking & component protection.

Disassembly

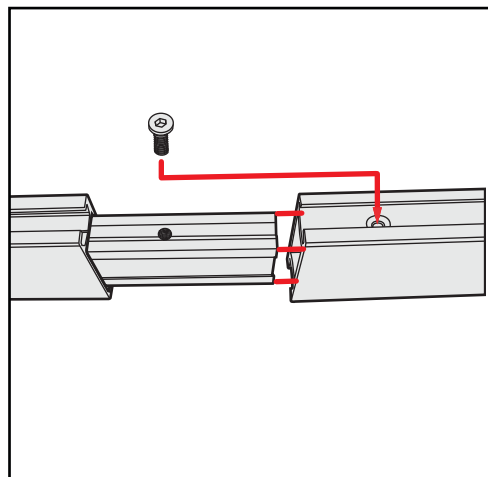
- For loss prevention, tighten all set screws and locks during disassembly.



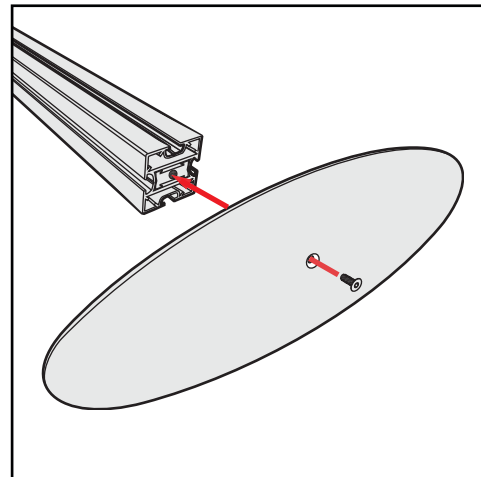
Hex Tool - Essential for Assembly



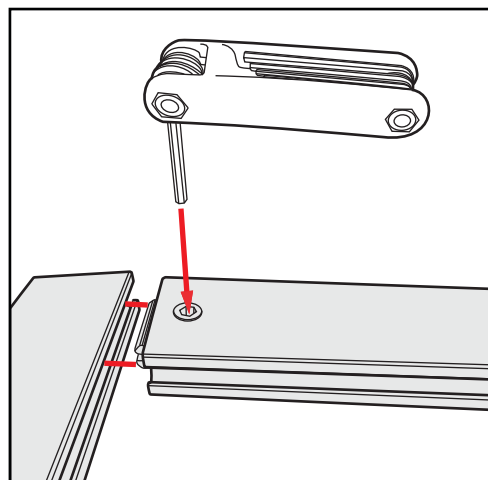
Part Identification - Numbering



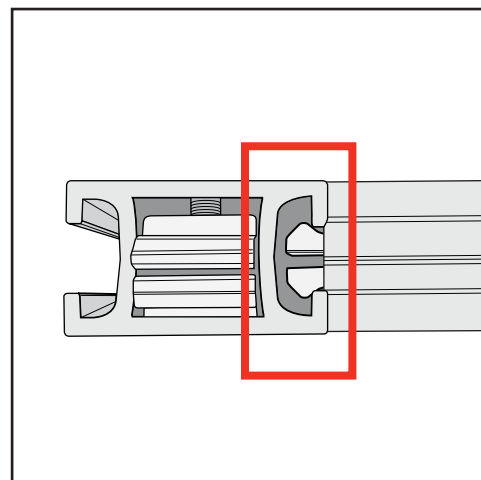
Spline Connection



Base Plate & Extrusion Connection



Extrusion & Lock Connection



Engaged Lock



WARNING

DO NOT USE POWER TOOLS



LADDERS OR LIFTS
MAY BE REQUIRED

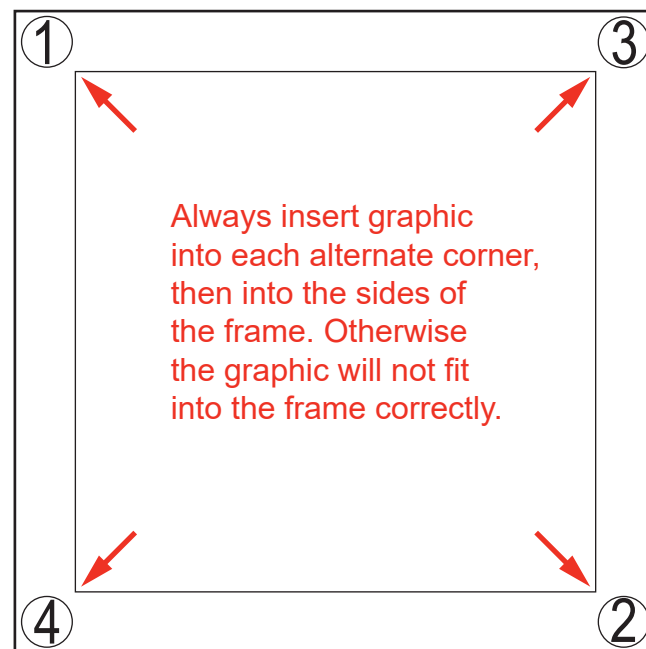
ALL CONNECTIONS MUST
BE TIGHTLY SECURED



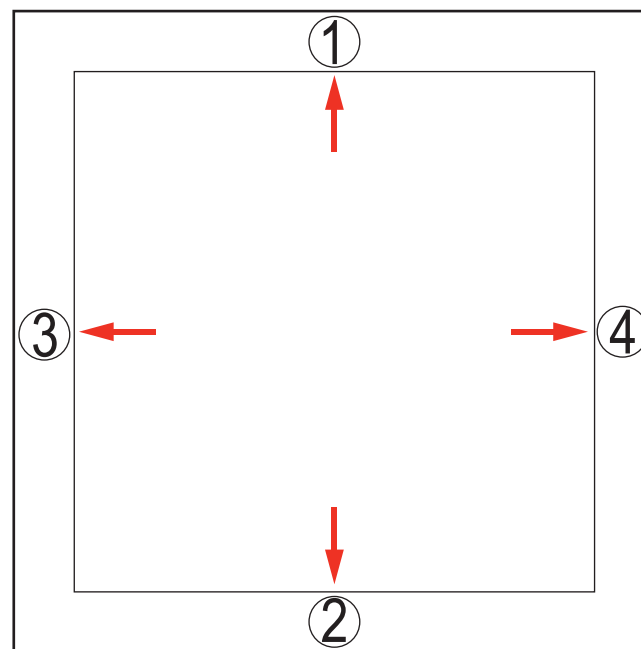
The Perfect Fit

SEG Graphic Installation *in 3 Steps*

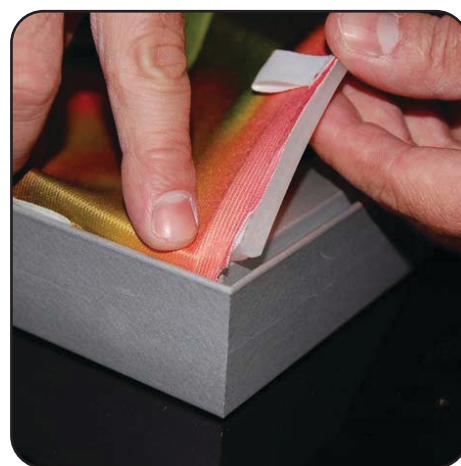
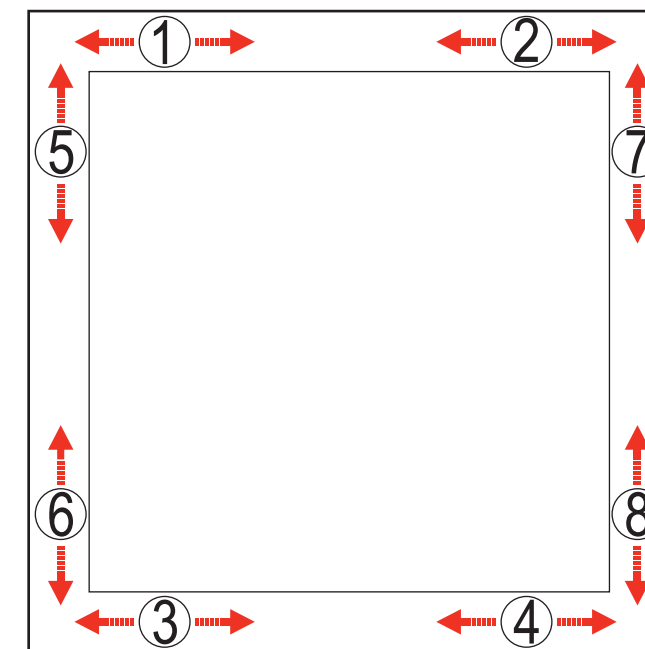
STEP 1: Attach Corners



STEP 2: Attach Middle



STEP 3: Attach Sides



Insert narrow side of silicone welt into the channel at corner 1, with fabric to the outside.

Repeat for opposite corner 2, then corner 3, then corner 4.

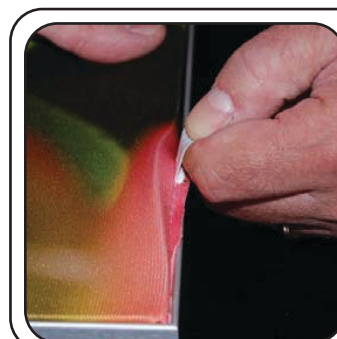
Once corners are attached, press the middle of edge 1 into the channel. Then press middle of edge 2 into the channel on opposite side.

Repeat with edge 3 & 4.

Once the middle of sides are attached, fully press the silicone welt into the channel, between center and corner at location 1. Repeat the process between center and corner at location 2.

Do the same for welt on opposite side, at locations 3 & 4. Then repeat for locations 5 & 6 and 7 & 8.

Once the welt is fully inserted on all sides, smooth out edges as needed for a perfect fit.



To remove the graphic from the frame, locate the fabric **pull tab**. Gently pull on the tab to remove the graphic.

Install video:

